

**HSF** RoHS

SPECIFICATIONS  
PERFORMANCE

信号端子 Current Rating: 0.5A  
 电源端子 Current Rating: 5A  
 Contact Resistance: 80mΩ Max  
 Insulation Resistance: 500MΩ Min  
 Withstand Volt: 200V AC/minute  
 Opratng Temperature: -40°C to +105°C

Material

Contact: Phosphor Bronze, 3u" MIN Gold Plated In Contact Area,  
 Gold Flash Plated In Solder Area,  
 50u"~240u" Nickel Underplated Over all.  
 Ground: Brass, 80u" Min Matte Tin Plated Over  
 50u" Min Nickel Underplated Over all.  
 Housing: LCP Black, UL94V0  
 Max. Processing Temp: 230°C for 30-60 seconds  
 (260°C for 10 seconds)

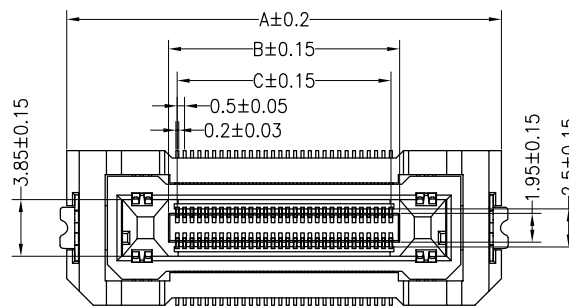
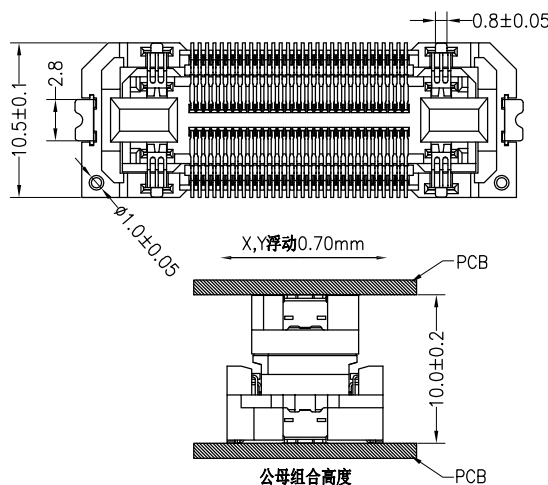
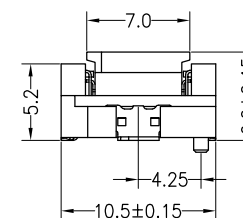
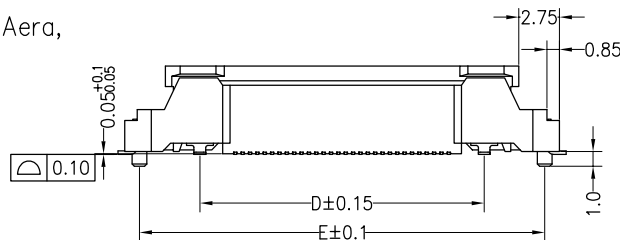
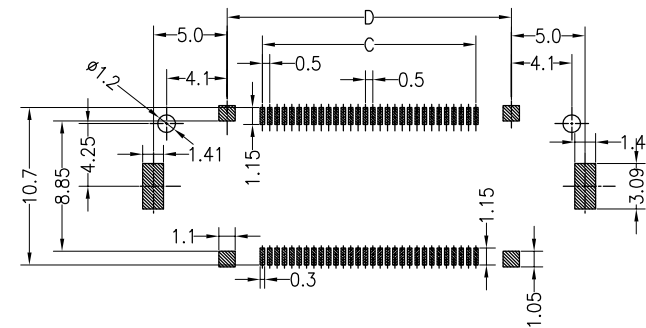


TABLE:

No. OF PIN	A	B	C	D	E
30 PIN	22.00	8.30	7.00	11.80	20.00
50 PIN	27.00	13.30	12.00	16.80	25.00
60 PIN	29.50	15.70	14.50	19.30	27.50
80 PIN	34.50	20.70	19.50	24.30	32.50
100 PIN	39.50	25.70	24.50	29.30	37.50
120 PIN	44.50	30.70	29.50	34.30	42.50



RECOMMENDED PCB LAYOUT (TOP SIDE)  
 PCB BOARD TOLFRANCF  $\pm 0.05$  (PCB T=1.00mm)



**Ordering Information**

**3726 F XXX 060 XX F R 01**

F=Female  
 M=Male  
 No. of pins  
 30P~120P  
 Plastic Height  
 060=6.0mm  
 Contact Plating  
 S0: 1U" Gold/Tin  
 S1: 3U" Gold/Tin  
 S2: 5U" Gold/Tin  
 S3: 10U" Gold/Tin  
 S4: 15U" Gold/Tin  
 S5: 30U" Gold/Tin  
 Insulator Material Option  
 D=BK-PA46  
 E=BK-PA9T  
 F=BK-LCP  
 Packing  
 T: Tube  
 R: Reel

A0

2020.07.27

NEW DRAWING

OPERATION

X.X  $\pm 0.30$

X.XX  $\pm 0.20$

X.XXX  $\pm 0.10$

Angle  $\pm 3^\circ$

DIM TOL

DRAW

yi yusheng

20.07.27

SCALE

FIT

UNIT

mm

SIZE

A4

SHEET

1/1

PROJ.

**JILN**® 深圳市锦凌电子有限公司  
 SHENZHEN JINLING ELECTRONIC CO.,LTD  
 Tel: 86-755-2997-5806/5802 Fax: 86-755-2997-5992

PART NO.

3726FXXX060XXFX01

TITLE:

0.5mm 高频大电流浮动式BTB NPin  
 H6.0 母座SMT

1

2

3

4

5

6

7

8

9